

鳥取市 x 日本交通 聯合企劃高速巴士

City of Tottori x Nihon Kotsu, an Intercity Bus Collaboration Project

# 大阪

難波OCAT

Namba OCAT



# 鳥取

鳥取巴士站

Tottori Station Bus Terminal

## 外國觀光旅客限定

Only for foreign tourists

## 超值巴士

Special Price Bus



# ¥1000

# 關空

大阪關西機場

KIX (Kansai-Airport)

轉乘 transfer



難波OCAT

Namba OCAT

# 鳥取

鳥取巴士站

Tottori Station Bus Terminal

# ¥2100

Service Period: June 1st, 2019 - March 31st, 2020

This service is not available during Aug 1 - Aug 31 and Dec 1 - Jan 15

You will be required to show your passport when buying the ticket. There is a possibility that the service will end before March 31st, 2020, as there is a limit to number of users. Thank you for your understanding.

利用期間：2019年6月1日～2020年3月31日

該優惠服務不適用於8月1日～8月31日、12月1日～1月15日，即是此期間內無優惠

購買時需要出示護照。由於利用總人數有限制，可能會提前結束，請您事先諒解。

# Places for buying the bus ticket 巴士票的購買地點

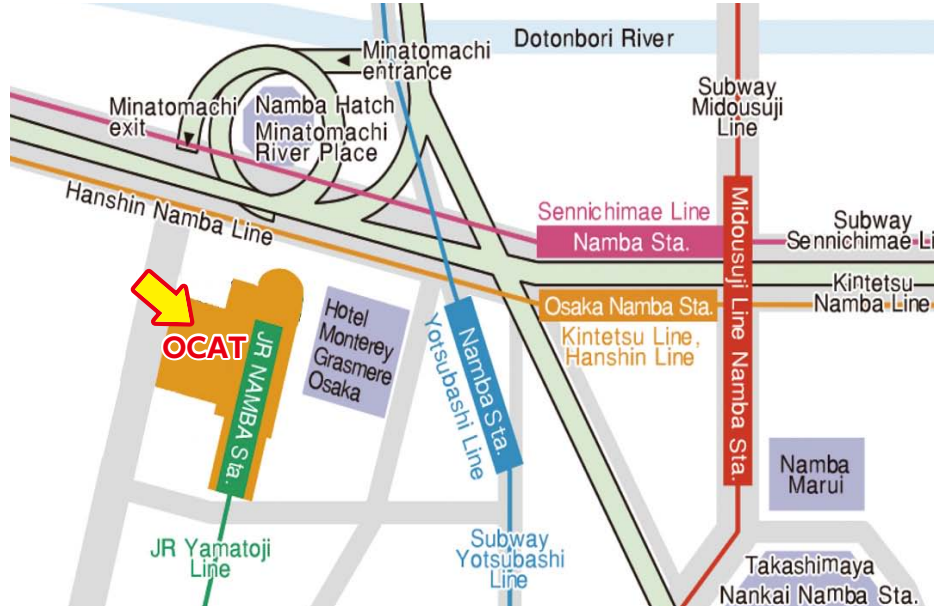
(Please make sure to purchase the ticket at the ticket counter within the business hours. Please be aware that tickets cannot be purchased inside the bus.)

(在營業時間內一定要到窗口購買車票。請注意，巴士車內不予賣票。)

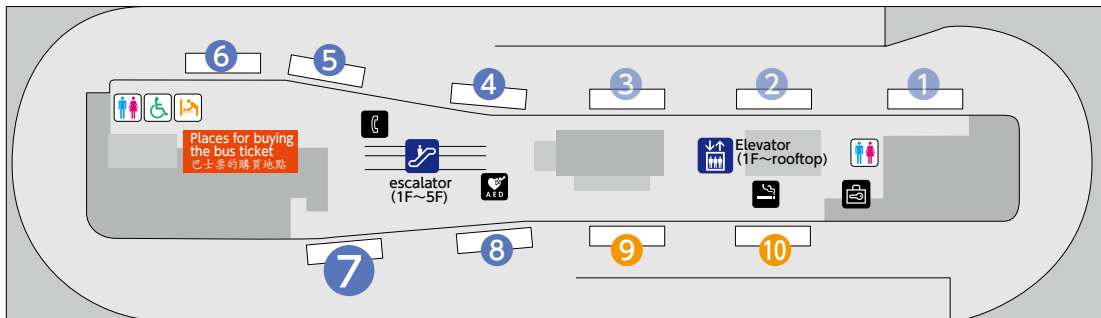
The discount tickets are sold at Namba OCAT. You will be required to show your passport when buying the ticket.  
 Eligibility Requirements: Foreign travellers that were granted with a "short term stay" at the immigration check and came to Japan with the objective of sightseeing (short term stay within 90 days)  
 We will make a toilet break at the Yasutomi Parking area midway, so the bus will stop for 10 minutes. Please make sure to come back in time.  
 If your child needs a seat of its own, passenger fare will be required for children under six years aswell.  
 In case you loose your ticket or forget to bring it when taking the bus, you will have to purchase it again at the ticket counter.

特價巴士票的銷售地點有一處：難波OCAT，購買時需要出示護照  
 ※利用資格 來自國外，持有入國海關審核發的「短期停留」的簽證，以觀光為目的來訪日本的外國旅行者。(90天以內的短期停留)  
 途中，在安富休息區域停車10分鐘，以便乘客休息或利用洗手間。請注意按時回到車上。  
 未滿六歲的小孩如果單獨佔用一個座位，也需要付兒童票費。  
 如果丟失車票或者乘車時忘帶車票，需要到窗口再次購買。

## Namba OCAT 難波OCAT



**Business Hours** 6:30-20:30  
**Departure Platform** 7  
**營業時間** 6:30-20:30  
**往鳥取** 7號乘車地點



### Namba OCAT → Tottori Station Bus Terminal Bus Timetable 難波OCAT→鳥取 巴士時刻表

From Namba OCAT 難波OCAT 出發	7:00	8:00	9:00	10:00	11:00	12:00	13:00	14:00	15:00	16:00	17:00	18:00	19:00	20:00	21:30
To Tottori Bus Terminal 鳥取到達	9:52	11:31	12:00	13:31	14:00	15:25	16:31	17:00	18:31	19:25	20:31	21:00	22:31	22:52	1:26

Seat reservation contact information (you can make a reservation up to one month in advance)  
 預訂座位的聯繫方式 (可以提前一個月預訂)  
 TEL: +81-857-26-5111 (8:00-20:00)  
 Mail: h-bus@nihonkotsu.jp



#### Tottori Travel App!

1. Get tourist information on Tottori easily!
2. The offline function means no more looking for internet connections!
3. Search→Travel→Explore!

#### 토틸리여행공략앱!

1. 모든 관광정보가 내 손 안에!
2. 다운로드한 정보는 오프라인에서도 이용가능!
3. 검색→이동→관광을 앱 하나로!

#### 鳥取旅遊攻略 APP!

1. 輕鬆獲取旅遊信息!!
2. 在線不在線均可自由運用
3. 搜索、行動、遊樂!!

